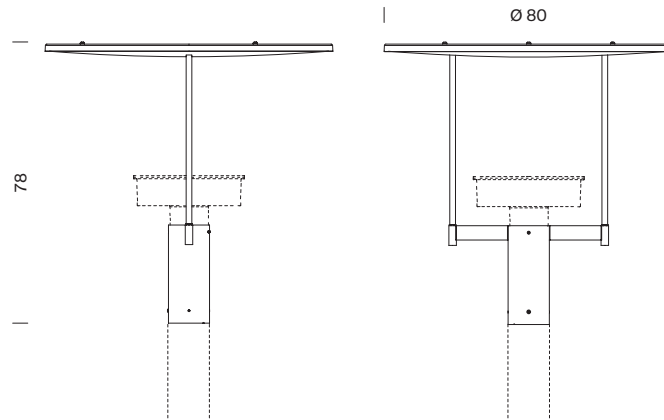


Arne Symmetrical light top pole attachment

Santa & Cole team, 2013



Sizes in cm



Top pole suport

Code: ARP09

Accessory allowing a single indirect luminaire to be affixed to a broad range of top poles (for further information, see our Top pole adaptors).

Along with the Arne floodlight for indirect lighting, it allows public areas to benefit from more pleasant lighting, bringing a light quality reminiscent of indoor spaces to the streets.

Materials: Mass white painted PIMC shade.

Paint finish steel structural tubes.

Paint finish aluminium top cover.

Powder-coated finish aluminium injection fastening parts.

Stainless steel screws.

Colours: light grey (RAL 9006).

(other colours available to order)

Size (cm): 78 x Ø 80

Weight (kg): 10

Installation: Suitable for top pole attachment by means of a fastening accessory. The component is delivered disassembled in two parts: shade and structure. The component can be combined with the Arne floodlight product range for indirect lighting (for further information about Arne indirect lighting, log onto the website www.santacole.com).

*Luminaire not included

Top pole adaptors

Code: ARPC70 / ARPD70 / ARPD60 / ARPD52 / ARPD46

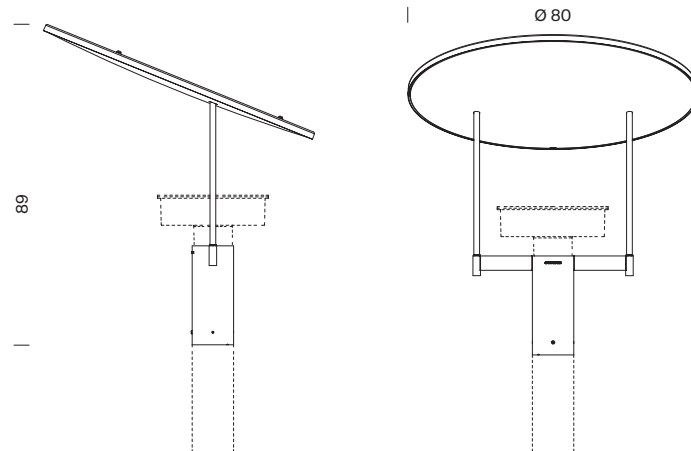
Adaptor accessories that allow top pole attachments to be affixed to a broad range of pole couplings. The following fit range is available: 70 x 70 mm, Ø 70 mm, Ø 60 mm, Ø 52 mm, Ø 46 mm (other diameters of pole couplings available to order).

Materials: Stainless steel.

Size (cm): Ø 10 x 6

Weight (kg): 0.04

Installation: The adaptors are required to affix the top pole attachments (for further information about Arne indirect lighting, log onto the website www.santacole.com).



Sizes in cm



Top pole attachment

Code: ARP10

Accessory allowing a single indirect luminaire to be affixed to a broad range of top poles (for further information, see our Top pole adaptors).

Along with the Arne floodlight for indirect lighting, it allows public areas to benefit from more pleasant lighting, bringing a light quality reminiscent of indoor spaces to the streets.

Materials: Mass white painted PIMC shade.

Paint finish steel structural tubes.

Paint finish aluminium top cover.

Powder-coated finish aluminium injection fastening parts.

Stainless steel screws.

Colours: light grey (RAL 9006).

(other colours available to order)

Size (cm): 89 x Ø 80

Weight (kg): 10

Installation: Suitable for top pole attachment by means of a fastening accessory. The component is delivered disassembled in two parts: shade and structure. The component can be combined with the Arne floodlight product range for indirect lighting (for further information about Arne indirect lighting, log onto the website www.santacole.com).

*Luminaire not included

Top pole adaptors

Code: ARPC70 / ARPD70 / ARPD60 / ARPD52 / ARPD46

Adaptor accessories that allow top pole attachments to be affixed to a broad range of pole couplings. The following fit range is available: 70 x 70 mm, Ø 70 mm, Ø 60 mm Ø 52 mm Ø 46 mm (other diameters of pole couplings available to order).

Materials: Stainless steel.

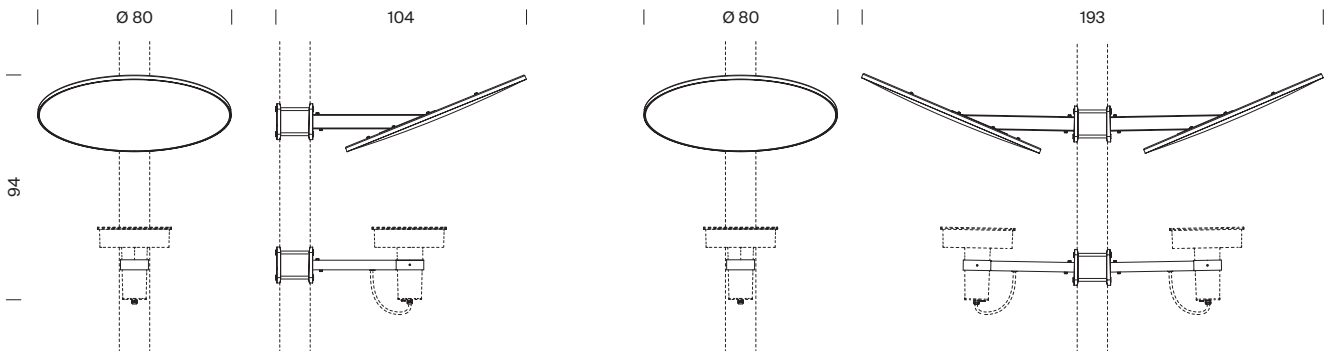
Size (cm): Ø 10 x 6

Weight (kg): 0.04

Installation: The adaptors are required to affix the top pole attachments (for further information about Arne indirect lighting, log onto the website www.santacole.com).

Arne Asymmetrical light pole attachment (single and double)

Santa & Cole team, 2013



Sizes in cm



Code: Single ARP11 / Double ARP11D

Accessory allowing a single or double indirect luminaire to be affixed to a broad range of poles (up to Ø127 mm). It enables remarkable light arrangements to be set up in unique locations. Along with the Arne floodlight for indirect lighting, it allows public areas to benefit from more pleasant lighting, bringing a light quality reminiscent of indoor spaces to the streets

Materials: Mass white painted PIMC shade.

Paint finish steel structural tubes.

Paint finish aluminium top cover.

Powder-coated finish aluminium injection fastening parts.

Stainless steel screws.

Colours: light grey (RAL 9006).

(other colours available to order)

Size (cm): 86 x Ø 80 x 104 / 86 x Ø 80 x 193

Weight (kg): 10 / 20

Installation: Suitable for pole attachment by means of a fastening accessory. The component is delivered disassembled in two parts: shade and structure. The component can be combined with the Arne floodlight product range for indirect lighting (for further information about Arne indirect lighting, log onto the website www.santacole.com).

*Luminaire not included